

Saturday Morning Workshop: Folding Mobile Workbench



[aayush dubey](#)



[Family Handyman](#)

Updated:
Jun. 13, 2023

Build this handy mobile workbench that folds up to only 7 in. You only need two hours, some 2x4s, 3/4-in. plywood and 8' of 1x4.



| Time | Complexity | Cost |
|-------------|------------|----------|
| A few hours | Beginner | \$51-100 |

Tools Required

- Drill/driver
- Jigsaw
- Miter saw
- Table saw or Circular saw

Materials Required

- 1-3/4" Construction screws
- 1x4 pine
- 2x4 Pine (30')
- 3" Construction screws
- 3" locking swivel casters (4)
- 3" Butt hinges (8)
- 4' x 8' sheet of 3/4" plywood
- 5" strap hinges (4)
- Hook-and-eye latches (2)
- Wood glue

Cutting List

| Key | Qty | Material | Dimensions | Part |
|-----|-----|--------------|---------------------------|-----------------------|
| A | 4 | 2x4 pine | 1-1/2" x 3-1/2" x 24" | Frame rail |
| B | 4 | 2x4 pine | 1-1/2" x 3-1/2" x 27" | Frame stile |
| C | 4 | 2x4 pine | 1-1/2" x 3-1/2" x 21" | Fixed support |
| D | 4 | 1x4 pine | 3/4" x 2" x 27" | Hinge mounting strip |
| E | 4 | 3/4" plywood | 3/4" x 5" x 19-7/8" | Folding support arm |
| F | 2 | 3/4" plywood | 3/4" x 15-1/2" x 19-7/8" | Folding support panel |
| G | 1 | 3/4" plywood | 3/4" x 24" x 48" | Bench top |
| H | 2 | 2x4 pine | 1-1/2" x 3-1/2" x 37-3/4" | Top rail |

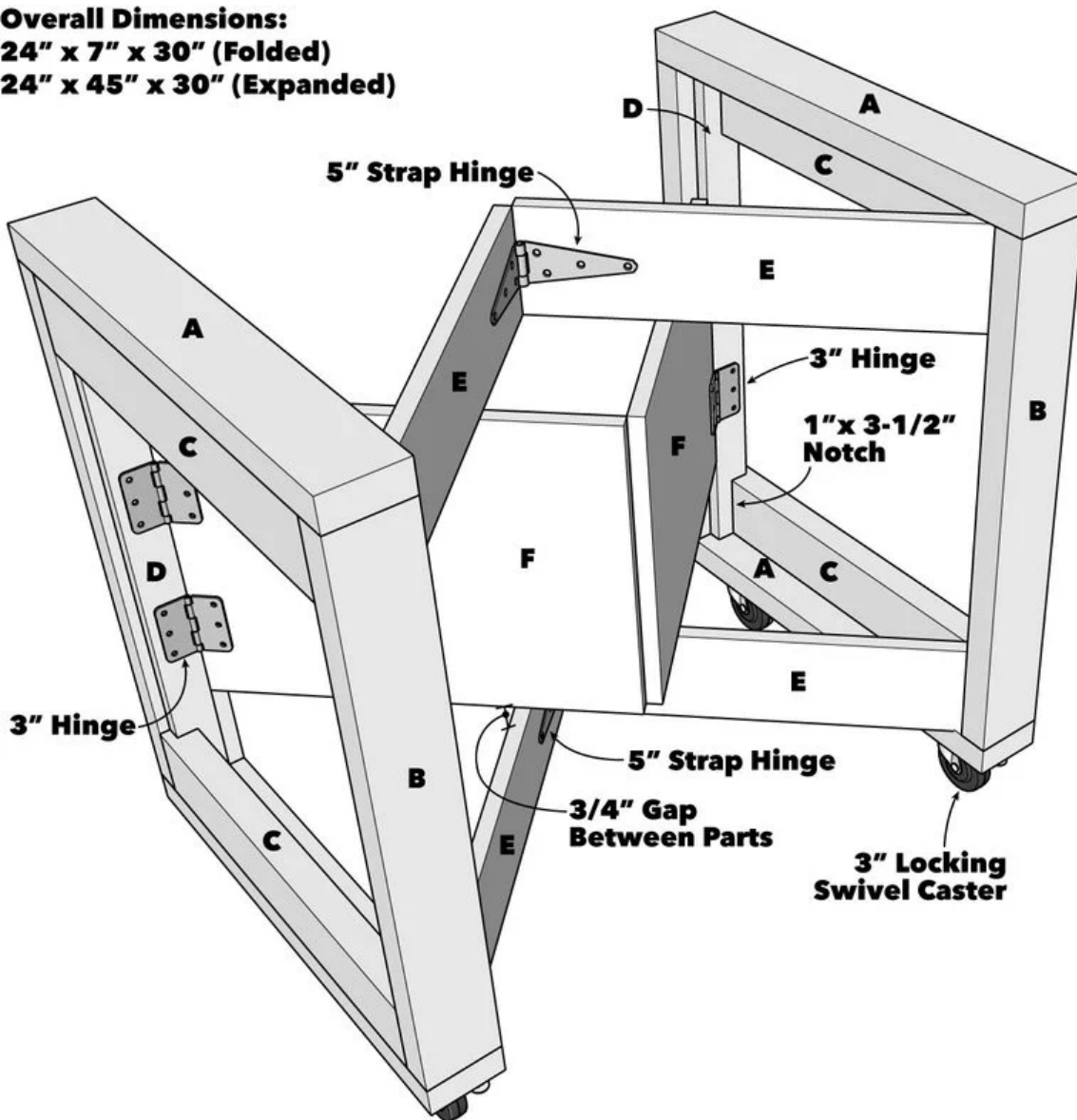
FAMILY HANDYMAN

Project Plans

Overall Dimensions:

24" x 7" x 30" (Folded)

24" x 45" x 30" (Expanded)



Project step-by-step (7)

Step 1

Create the end frames



Fasten the frame rails (A) to the frame stiles (B) with glue and screws. Attach the fixed supports (C) to the interior face of the stiles.

Step 2

Notch and attach mounting strips



Rip the 1×3 to 2-in. wide on the table saw and crosscut to the length stated in the Cutting List. Cut a 1-in. deep x 3-1/3-in. wide notch at both ends with the jigsaw of the 2-in. wide boards to create the mounting strips (D). Glue and screw the mounting strips to the inside

face of the frame stiles (B). [Learn some essential jigsaw tips here.](#)

Step 3

Mount the folding supports



Set a 2×4 under the ends of the folding support arms for alignment. Attach the folding support arms (E) to the mounting strips (D) using butt hinges and screws. The support arms should fold flat against the frame rails (A). Flip the frame over and repeat the process with the folding support panels (F), using a 3/4-in. plywood scrap against the support arms for alignment.

Step 4

Join the two frames



Open the support arms and panels. Clamp the unfolded support parts together. Position the strap hinges on the connecting pieces, holding them in place with tape while you screw them on.

Step 5

Attach the latches



Close and clamp the assembly. Screw in the hook-and-eye latches to the outer faces of the frame stiles (B). Remove the clamps and open the assembly.

≡ **family**
handyman

Make the bench top



Screw the top rails (H) to the bench top (G) 5-in. from the ends of the bench top.

Step 7

Fasten the casters



With the bench folded, screw the casters to the frame rails (A). Be sure to offset the casters so that they don't bump into each other when they swivel. [Ready for your next project? Check out how to build a fold-up workbench for your home shop.](#)

Originally Published: October 14, 2019

© 2023 Home Service Publications, Inc.